

Q-FLEX QA-3000 ACCELEROMETER

I A cut above the rest

For the highest inertial navigation-grade performance available in today's market, Honeywell offers the QA-3000. In the same form factor as the QA-2000, Honeywell packs a lot of performance and value into this small package. Produced on the same manufacturing line as the QA-2000, the QA-3000 has the same inherent quality and reliability customers have come to know from Honeywell Q-flex accelerometers.

As with the entire Q-Flex family of accelerometers, the QA-3000 features a patented Q-Flex etched-quartz-flexure seismic system. An amorphous quartz proof-mass structure provides excellent bias, scale factor and axis alignment repeatability.

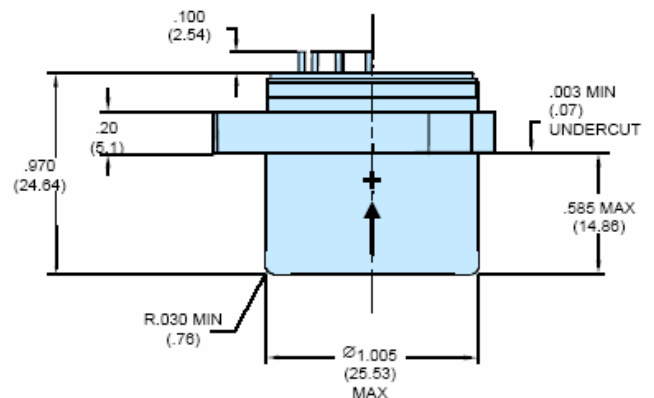
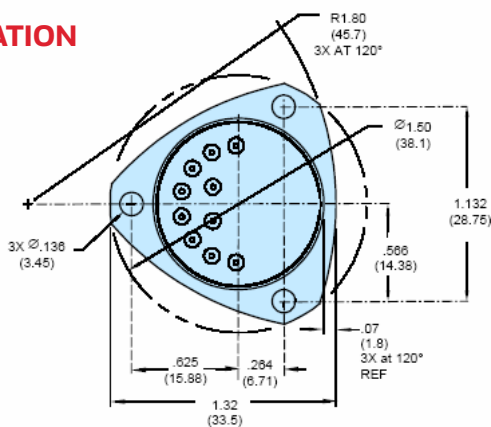
The integral electronics develops an acceleration-proportional output current providing both static and dynamic acceleration measurement. By use of customer supplied output load resistor, appropriately scaled for the acceleration range of the application, the output current can be converted into a voltage.

The QA-3000 also includes a current-output, internal temperature sensor. By applying temperature-compensating algorithms, bias, scale factor and axis misalignment performance are dramatically improved. The QA-3000 has three performance grades to best meet customer's performance requirements.

FEATURES

- Excellent turn-on repeatability performance
- Form, fit, function compatible with QA-2000, easy to upgrade for the most performance demanding applications
- Remarkably low bias and scale factor repeatability
- Environmentally rugged
- Analog output
- Field-adjustable range
- Three fastener precision mounting flange
- Internal temperature sensor for thermal compensation
- Dual built-in self-test

CONFIGURATION DRAWINGS



Q-Flex QA-3000



**MORE THAN
3M QUARTZ
ACCELEROMETERS
SHIPPED OVER THE
PAST TWO DECADES**

Honeywell

PERFORMANCE CHARACTERISTICS			
Performance	QA3000-030	QA3000-020	QA3000-010
Input Range	±60 g	±60 g	±60 g
Bias	<4 mg	<4 mg	<4 mg
- One-year Composite Repeatability	<40 µg	<80µg	<125 µg
-Temperature Sensitivity	<15 µg/°C	<15 µg/°C	<25 µg/°C
Scale Factor	1.20 to 1.46 mA/g	1.20 to 1.46 mA/g	1.20 to 1.46 mA/g
- One-year Composite Repeatability	<80 ppm	<160 ppm	<250 ppm
- Temperature Sensitivity	<120 ppm/°C	<120 ppm/°C	<120 ppm/°C
Axis Misalignment	<1000 µrad	<1000 µrad	<1500 µrad
- One-year Composite Repeatability	<70 µrad	<80 µrad	<100 µrad
Vibration Rectification	<10 µg/g ² rms (50-500 Hz) <35 µg/g ² rms (500-2000 Hz)	<15 µg/g ² rms (50-500 Hz) <40 µg/g ² rms (500-2000 Hz)	<20 µg/g ² rms (50-500 Hz) <50 µg/g ² rms (500-2000 Hz)
Intrinsic Noise	<7 µg-rms (0-10 Hz) <70 µg-rms (10-500 Hz) <1500 µg-rms (500-10,000 Hz)	<7 µg-rms (0-10 Hz) <70 µg-rms (10-500 Hz) <1500 µg-rms (500-10,000 Hz)	<7 µg-rms (0-10 Hz) <70 µg-rms (10-500 Hz) <1500 µg-rms (500-10,000 Hz)
Environment	QA3000-030	QA3000-020	QA3000-010
Operating Temperature Range	-28 to +78 °C	-55 to +95 °C	-55 to +95 °C
Shock	100 g	150 g	150 g
Vibration Peak Sine	15 g @ 20-2000 Hz	15 g @ 20-2000 Hz	15 g @ 20-2000 Hz
Resolution/Threshold	<1 µg	<1 µg	<1 µg
Bandwidth	>300 Hz	>300 Hz	>300 Hz
Thermal Modeling	QA3000-030	QA3000-020	QA3000-010
	Yes	Yes	Yes
Electrical	QA3000-030	QA3000-020	QA3000-010
Quiescent Current per Supply	<16 mA	<16 mA	<16 mA
Quiescent Power Electrical Interface	<480 mW @ ±15 VDC Temp Sensor Voltage Self Test Current Self Test Power / Signal Ground -10 VDC Output +10 VDC Output	<480 mW @ ±15 VDC Temp Sensor Voltage Self Test Current Self Test Power / Signal Ground -10 VDC Output +10 VDC Output	<480 mW @ ±15 VDC Temp Sensor Voltage Self Test Current Self Test Power / Signal Ground -10 VDC Output +10 VDC Output
Input Voltage	±13 to ±28 VDC	±13 to ±28 VDC	±13 to ±28 VDC
Physical	QA3000-030	QA3000-020	QA3000-010
Weight	71 ±4 grams	71 ±4 grams	71 ±4 grams
Diameter below mounting surface	Ø1.005 in. Max	Ø1.005 in. Max	Ø1.005 in. Max
Height bottom to mounting surface	.585 in. Max	.585 in. Max	.585 in. Max
Case Material	300 Series Stainless Steel	300 Series Stainless Steel	300 Series Stainless Steel

Additional product specifications, outline drawings and block diagrams, and test data are available on request.

For More Information

aerospace.honeywell.com

Honeywell International, Inc. Defense and Space Electronic Systems Redmond

15001 N.E. 36th Street
Redmond, Washington 98073-9701
PHONE: 888 206 1667
FAX: 425 883 2104
aerospace.honeywell.com

ISO-9001 CERTIFICATION SINCE 1995

DISCLAIMER: Specifications are subject to change without notice. Honeywell reserves the right to make changes to any product or technology herein to improve reliability, function or design. Honeywell does not assume any liability arising out of the application or use of the product.

Accelerometers exported from the United States must be done in accordance with the Export Administration Regulations (EAR) and/or the International Traffic in Arms Regulations (ITAR) as applicable.

**THE
FUTURE
IS
WHAT
WE
MAKE IT**

Honeywell